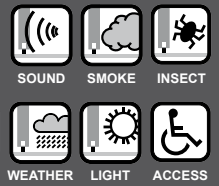
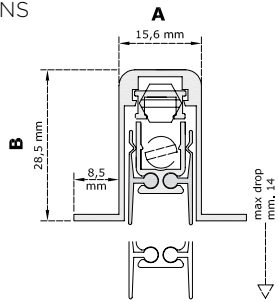


# FITTING INSTRUCTIONS

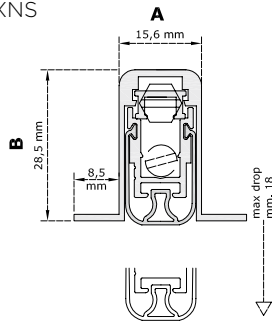
## FASTENING BY WINGS



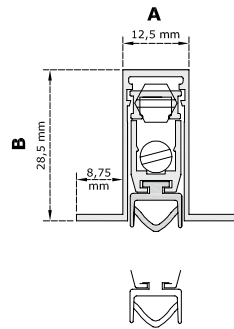
**1800**  
NS



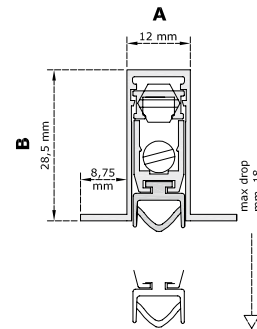
**1800**  
XNS



**1800**



**1812**



TOOLS REQUIRED

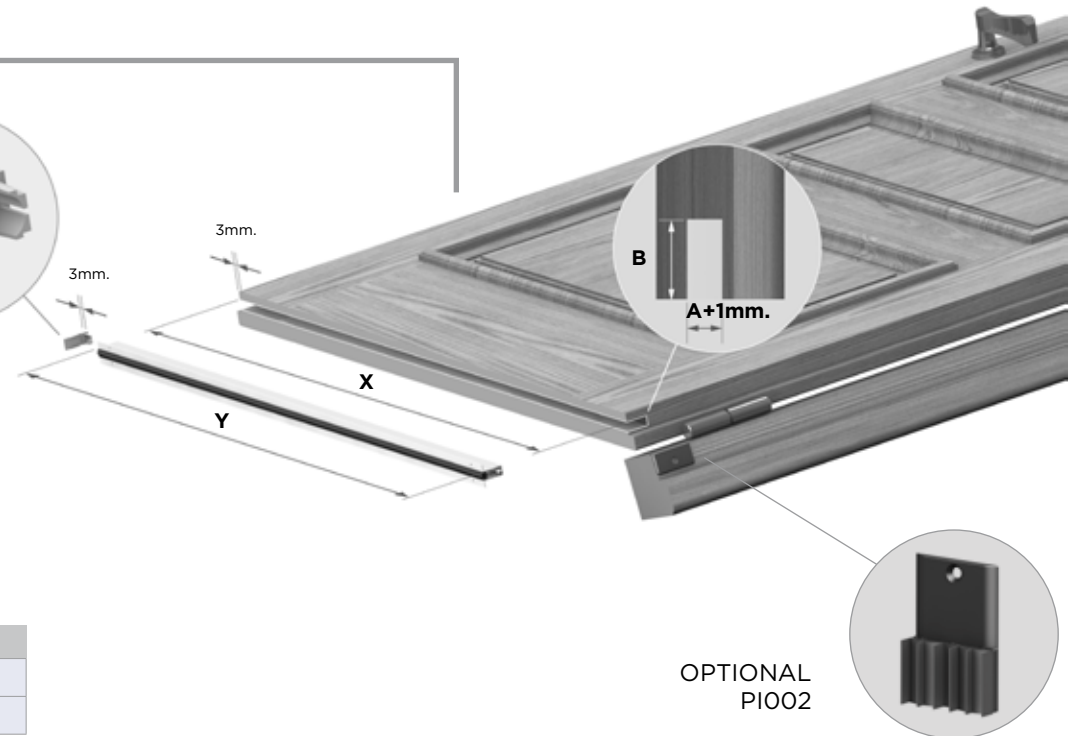


**1**

**2**

$$Y = X - 3\text{mm.}$$

Z



**CUT DOWN SIZES**

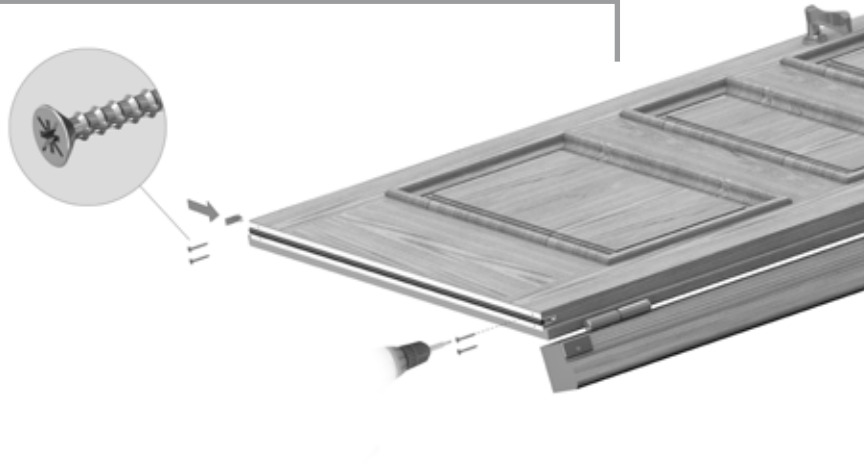
STANDARD SIZES mm.	530	630	730	830	930	1030	1130	1230	1330
Z mm.	100	100	100	100	100	100	100	100	100

OPTIONAL  
PIO02

# FITTING INSTRUCTIONS

## FASTENING BY WINGS

3



4

